

## Electrolux concept counters

# Refrigerators - 2 compartments

The models shown on this sheet are food preparation and preservation tables. Their versatility allows notable savings in space while offering functional and modular solutions for all types of kitchen requirements.



727159



727160



727161



727165



727166



727167

- Built-in refrigeration unit.
- 150 mm height-adjustable stainless steel feet.
- Internal and external doors, front and side panels and worktop in AISI 304 stainless steel.
- Anti-drip profile on stainless steel worktop edge.
- Easy to clean reversible door with rounded internal corners.
- IP65 digital control panel allows for temperature and parameter setting as well as to activate defrosting when necessary.
- The refrigerated compartment is designed to accommodate GN 1/1 containers on 6 levels.

- Suitable to operate in ambient temperatures up to +43°C. Temperature range: -2/+10 °C.
- Forced air circulation for rapid cooling and an even temperature distribution.
- Completely automatic defrosting and automatic evaporation of defrost water. Drain outlet.
- Access to all components from the front.
- HCFC, CFC and HFC free insulation (Cyclopentane), HCFC and CFC free refrigerant gas (R404a).

- All models comply with the standards required by the main international approval bodies and are CE marked.
- High-density expanded polyurethane insulating foam, 60 mm in thickness, with cyclopentane injection, guarantees exceptional, long-term insulation and notable energy savings.
- Developed and produced in ISO 9001 and ISO 14001 certified factory.

**Electrolux concept counters  
 Refrigerators - 2 compartments**
**HBAC-2**

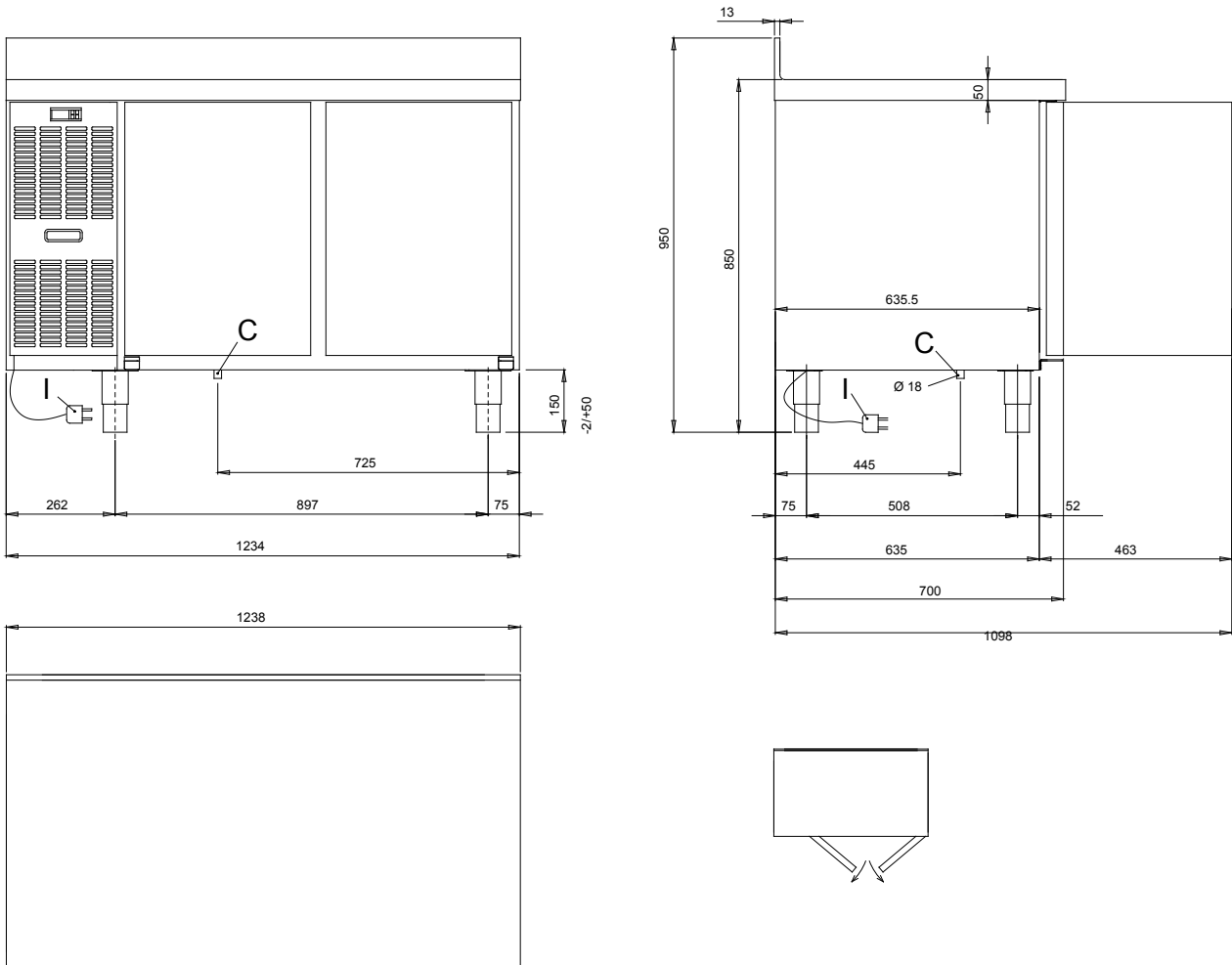
2008-01-21

	<b>HB2PA 727159</b>	<b>HB6C3A 727160</b>	<b>HB4CA 727161</b>	<b>HB2PUA 727165</b>	<b>HB6C3UA 727166</b>	<b>HB4CUA 727167</b>
<b>TECHNICAL DATA</b>						
Operating temperature - min/max °C	-2/10	-2/10	-2/10	-2/10	-2/10	-2/10
Operating mode	Ventilated	Ventilated	Ventilated	Ventilated	Ventilated	Ventilated
Gross capacity (D.I.N. 8952) - l.	265	265	265	265	265	265
Cooling unit	Built-In	Built-In	Built-In	Built-In	Built-In	Built-In
External dimensions - mm						
width	1234	1234	1234	1234	1234	1234
depth/with open doors	700, 1102	700, 1102	700, 1102	700, 1102	700, 1102	700, 1102
height	850	850	850	950	850	850
Internal dimensions - mm						
depth	580	580	580	580	580	580
height	543	543	543	543	543	543
Worktop type	Stainless Steel	Stainless Steel	Stainless Steel	Stainless Steel with Splashback	Stainless Steel	Stainless Steel
Min/Max internal humidity - %	55	55	55	55	55	55
N° of drawers			4x1/2			
N° and type of door	2	2		2	2	2
Door hinges	1 Left+1 Right	1 Left+1 Right		1 Left+1 Right	1 Left+1 Right	1 Left+1 Right
Compressor power - HP	1/4	1/4	1/4	1/4	1/4	1/4
N° defrost in 24 hrs.	4/20	4/20	4/20	4/20	4/20	4/20
Refrigerant type	R404a	R404a	R404a	R404a	R404a	R404a
Refrigerant quantity - g.	130	130	130	130	130	130
Refrigerant power - W	343	343	343	343	343	343
Evaporation temperature - °C	-23	-23	-23	-23	-23	-23
Power - kW						
installed-electric	0.34	0.34	0.34	0.34	0.34	0.34
Net weight - kg.	119	119	126	120	119	119
Supply voltage	230 V, 1N, 50	230 V, 1N, 50	230 V, 1N, 50	230 V, 1N, 50	230 V, 1N, 50	230 V, 1N, 50

Subject to change without notice

**Electrolux concept counters  
Refrigerators - 2 compartments**

727159, 727165



HBAC-2

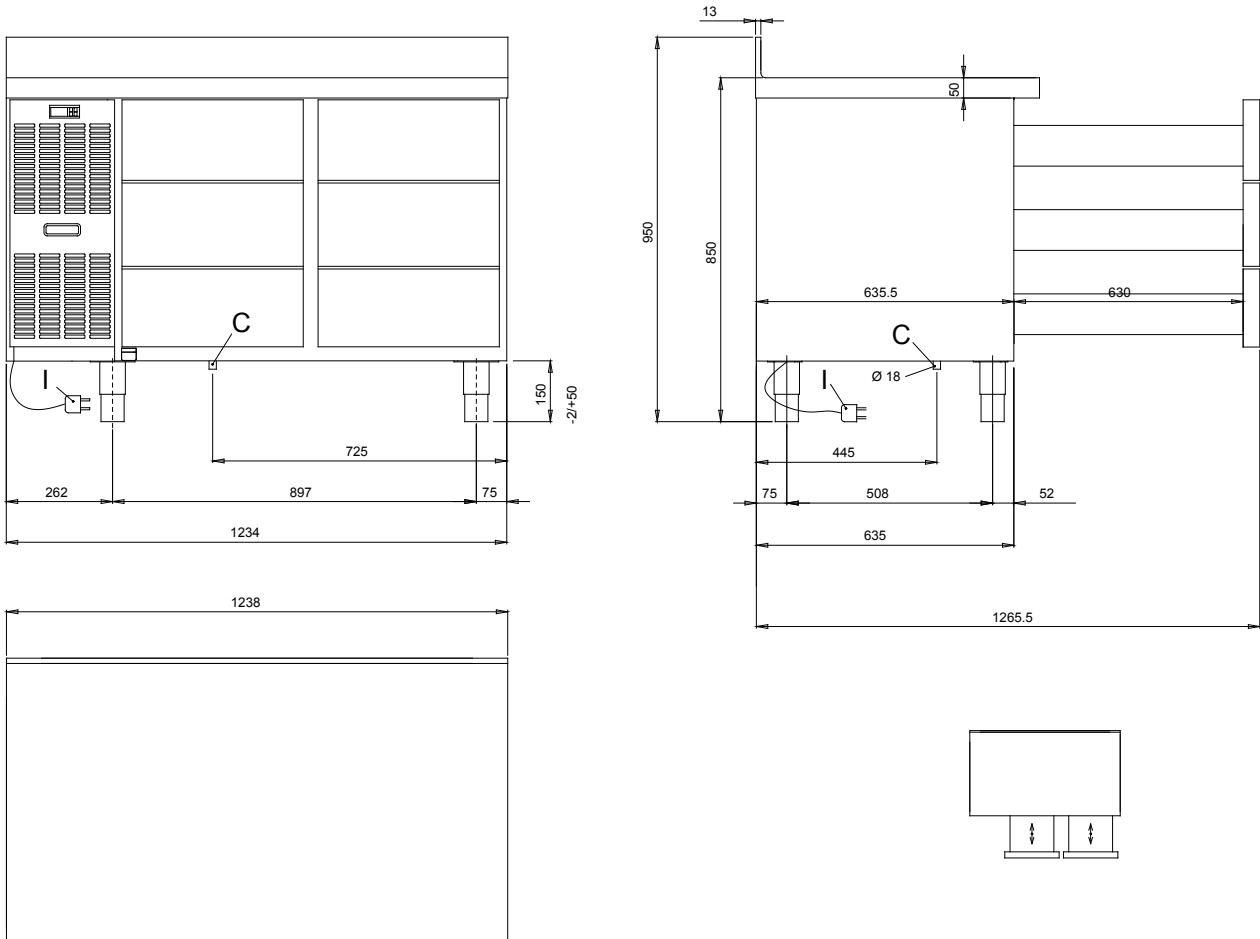
2008-01-21

	HB2PA 727159	HB2PUA 727165
<b>LEGEND</b>		
C - Water drain	16mm	16mm
I - Electrical connection	230 V, 1N, 50	230 V, 1N, 50

Subject to change without notice

**Electrolux concept counters  
Refrigerators - 2 compartments**

727160, 727166



HBAC-2

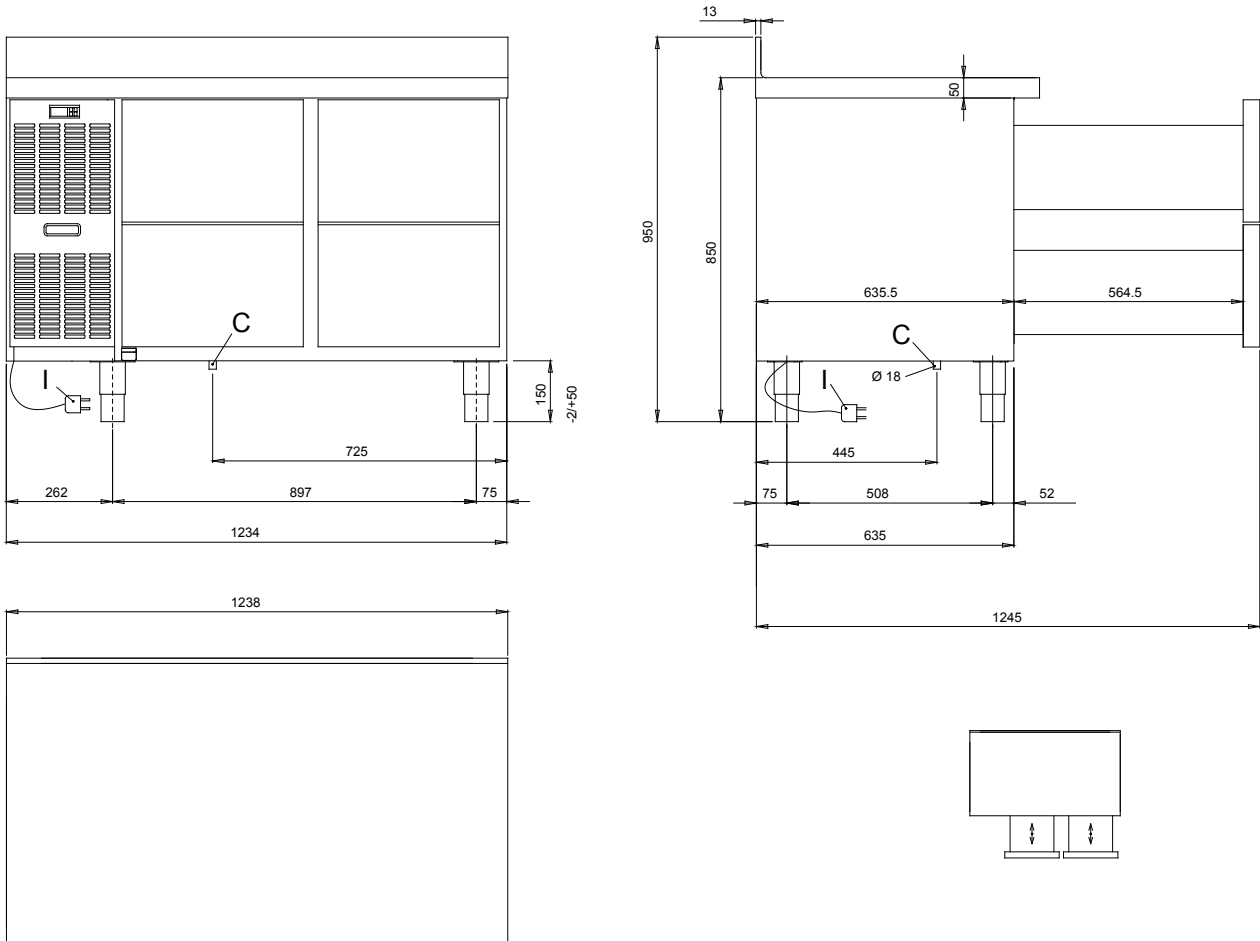
2008-01-21

	HB6C3A 727160	HB6C3UA 727166
<b>LEGEND</b>		
C - Water drain	16mm	16mm
I - Electrical connection	230 V, 1N, 50	230 V, 1N, 50

Subject to change without notice

**Electrolux concept counters**  
**Refrigerators - 2 compartments**

727161, 727167



HBAC-2

2008-01-21

	HB4CA 727161	HB4CUA 727167
<b>LEGEND</b>		
C - Water drain	16mm	16mm
I - Electrical connection	230 V, 1N, 50	230 V, 1N, 50

Subject to change without notice