

Family
COOKING EQUIPMENT STAR 60

Section
ELECTRIC FRYERS

Model
F66ERP

Code
CR0853430

ELECTRIC FRYER W/2 TANKS

S/s electric fryer. Heated by an in-tank heating element. 2 moulded 10-litre tanks with a large cool area and rounded, sloping oil expansion area. Thermostat for temperature control between 100°C and 180°C and manual reset safety thermostat. Indicator lights signalling mains electricity activation and heating element operation. Removable filter, basket, lid and drain tap supplied.



Technical data

Width mm:	600	Internal dim. oven mm:	
Depth mm:	600	Oven capacity:	
Height mm:	295	Oven power kW:	
Weight kg.:	34.00	Qty heating zones:	
Volume m ³ :	0.22	Plate dim. mm:	
Power supply:	VAC400-3N 50Hz	Dim. heating zone mm:	
Gas power kW:		Qty tank:	2
Electric power kW:	18.00	Tank dim. mm:	220x340
		Tank capacity l:	10+10

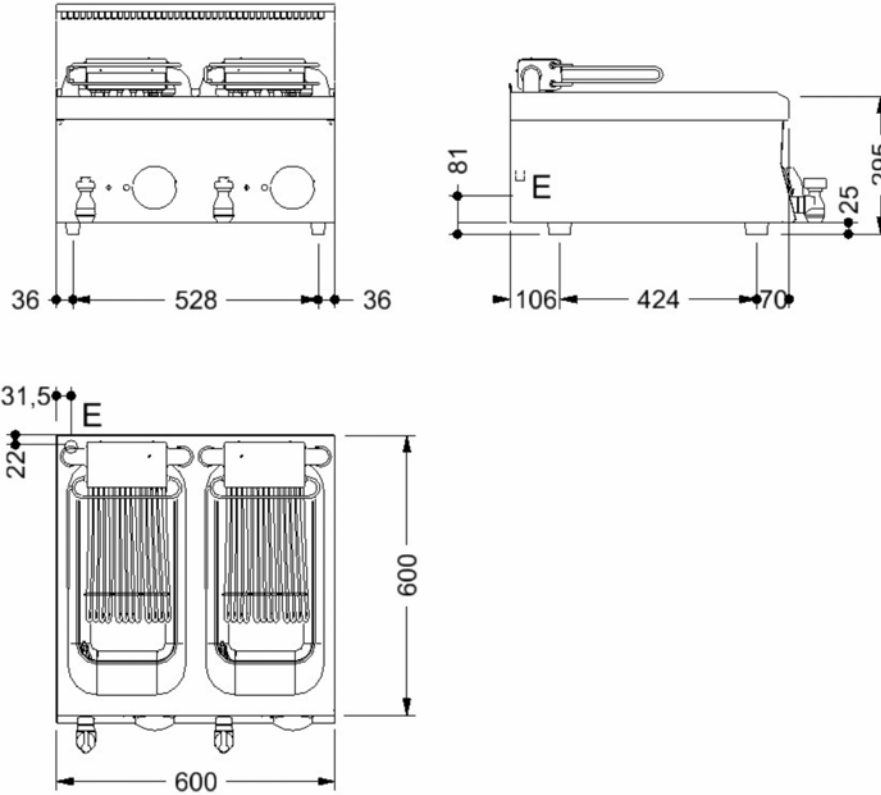
Family
COOKING EQUIPMENT STAR 60

Section
ELECTRIC FRYERS

Model
F66ERP

Code
CR0853430

ELECTRIC FRYER W/2 TANKS



Legend

(E) Socket 1: Connection supply terminal floor level (+100mm). Spare cable 1500mm

(E) Socket 2:

(G) Gas:

(AD) Softened water:

(AF) Cold water:

(AC) Hot water:

(S) Draining:

(FR) In e out freon:

(V) Steam: