

Snack units are made of AISI 430 stainless steel with AISI 304 top plate. All snack units include pressed top plate or basins with round internal angles and ergonomic front panels. All connection points are located on the device rear side. Wide selection of models and options helps in setting up a compact customized configuration.

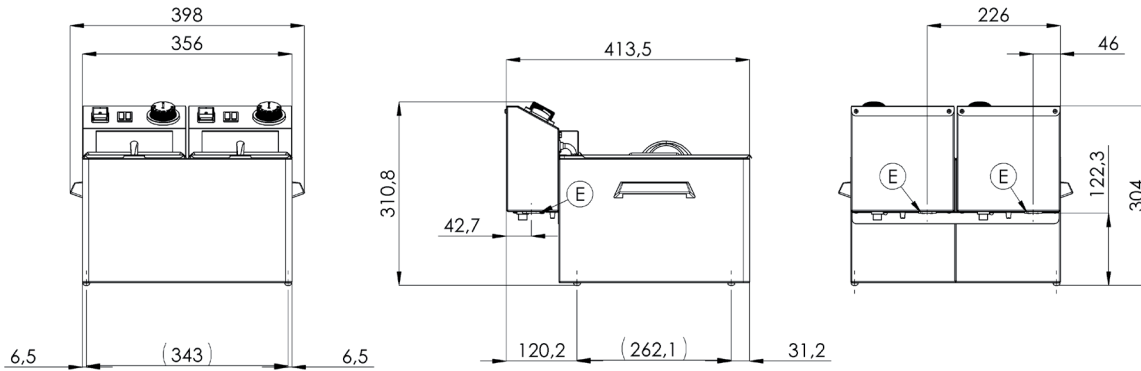


- Choice of basin volumes 5-30 litres and two basins or one basin
- The selection of top models or some models with a base
- Selected models include the drain in the front part, fitted with a safety device to prevent unwanted water drainage
- The fryers are equipped with practical holder of the baskets from stainless AISI 304
- The fryers are equipped with safety thermostat to 235 °C
- Fully removable electrical box with the unit. It guarantees comfortable handling during the basin cleaning
- If the electrical box is not correctly fixed in the holder, the unit does not heat up. It is achieved by means of micro-switch
- The unit is placed in such way to achieve so called 'cold zone'
- Electrical box disconnecter contains internal silicone sealing
- Operation thermostat: 50-190 °C

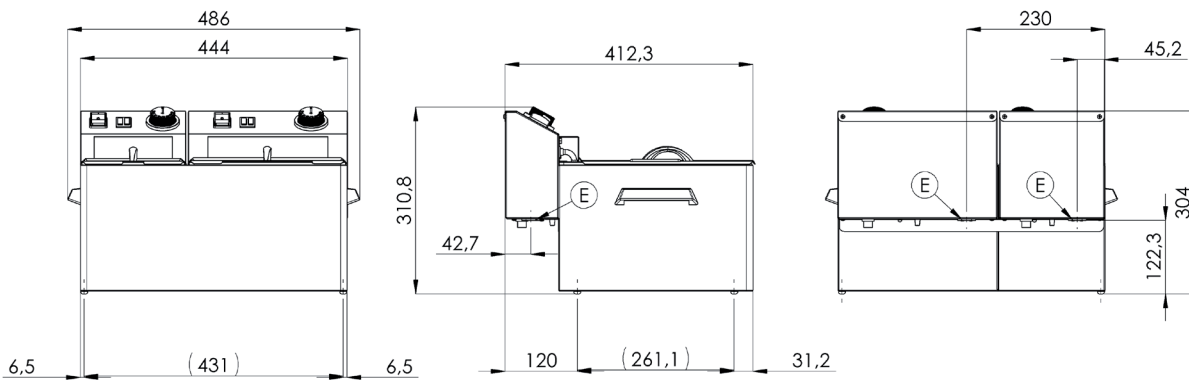


Index	Model	mm	kg	V / Hz	kW	L	Baskets	° C
100 100 100 100 100 500	FE 04 (E) FE 04 S	180 x 420 x 300	5,6 5,7	230 / 50-60	2,1 3	5	130 x 235 x 100	50 - 190
100 101 000 100 101 010 100 101 500 100 101 007 100 101 505	FE 07 (E) FE 07 S FE 07 T FE 07 V (E) FE 07 VT	270 x 420 x 300 270 x 420 x 300 270 x 420 x 300 270 x 420 x 370 270 x 420 x 370	6,7 6,7 9,4 7,9 9,9	230 / 50-60 230 / 50-60 400 / 50-60 230 / 50-60 400 / 50-60	3 3,4 6 3 6	8	210 x 235 x 100	50 - 190
100 138 008	FE 08	210 x 520 x 300	7,7	230 / 50-60	3,4	8	150 x 320 x 120	50 - 190
100 102 000 100 102 001	FE 10 T FE 10 TD	360 x 420 x 370	12,2	400 / 50-60	8,1	11	300 x 240 x 120 2 x 130 x 235 x 100	50 - 190
100 103 000 100 103 500	FE 44 (E) FE 44 S	360 x 420 x 300	10 11	230 / 50-60	4,2 6	5 + 5	2 x 130 x 235 x 100	50 - 190
100 104 000	FE 74 (E)	450 x 420 x 300	11	230 / 50-60	5,1	5 + 8	210 x 235 x 100 + 130 x 235 x 100	50 - 190
100 105 000 100 101 012 100 105 500 100 105 010 100 105 015	FE 77 (E) FE 77 S FE 77 T FE 77 V (E) FE 77 VT	540 x 420 x 300 540 x 420 x 300 540 x 420 x 300 540 x 420 x 370 540 x 420 x 370	12 12 16,1 14,1 18,9	230 / 50-60 230 / 50-60 400 / 50-60 230 / 50-60 400 / 50-60	6 6,8 12 6 12	8 + 8	210 x 235 x 100	50 - 190
100 101 015	FE 88	420 x 520 x 300	15,4	230 / 50-60	6,8	8 + 8	2 x 150 x 320 x 120	50 - 190
100 106 000 100 106 001	FE 1010 T FE 1010 TD	540 x 420 x 300	23,4 22,8	400 / 50-60	16,2	11 + 11	300 x 240 x 120 4 x 130 x 235 x 100	50 - 190
100 120 000	FE 30 T	540 x 450 x 370	15,8	400 / 50-60	9	16	455 x 245 x 80	50 - 190
100 125 000 100 125 000	FE 60 T FE 60 T/P	670 x 650 x 370 670 x 650 x 900	25 35	400 / 50-60	15	30	570 x 440 x 80	50 - 190

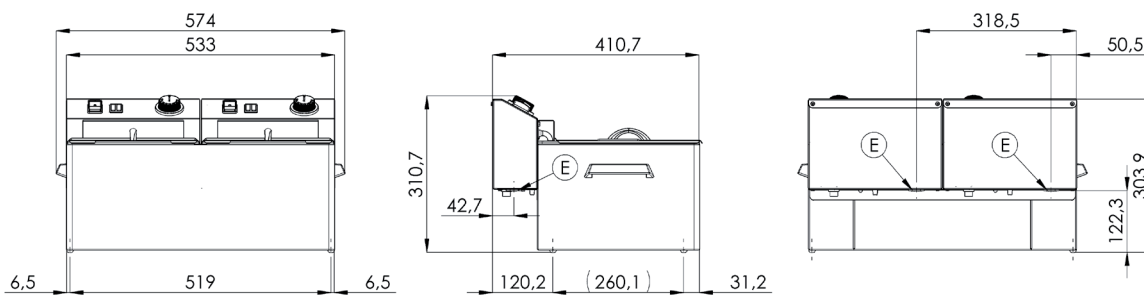
FE 44



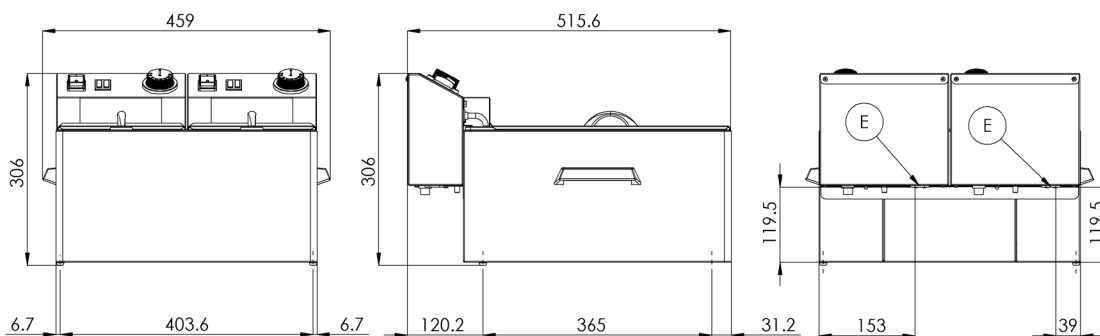
FE 74



FE 77



FE 88



E - electric