



PRODUCT SHEET EKF 412 AL U

electric convection oven with humidification
4 trays 1/2 GN (325x265 mm)

EKA IS SNACK



The 4 trays 1/2 GN with the new cooking chamber in stainless steel AISI 430, is the ideal solution for bars and eateries who want to heat pre-cooked meals or preparing small snacks but have limited space. Easily positionable on the bar counter, it is a limited encumbrance oven with very low power consumption. Ready meals quickly, always soft and tasty thanks to the humidification function through a button that allows you to customize all types of cooking.

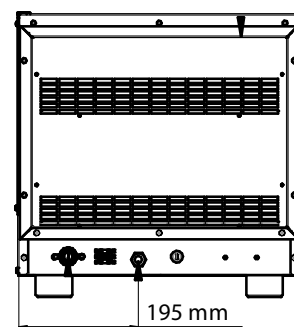
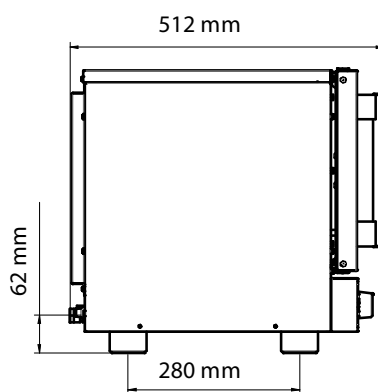
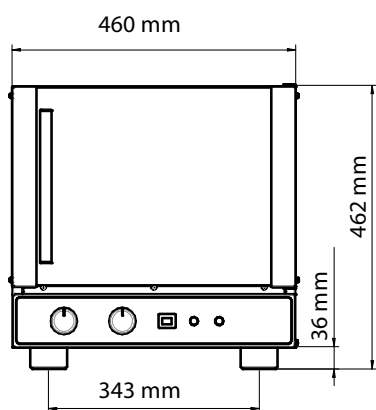


Tecnoeka srl
via Marco Polo, 11
35010 Borgoricco - Padova - Italy
tel. +39.049.5791479
tel. +39.049.9300344
fax +39.049.5794387

email
info@tecnoeka.com
tecnoekasrl@pec.com

web sites
tecnoeka.com
tecnoeka.ru







DIMENSIONAL FEATURES				TECHNICAL AND FUNCTIONAL FEATURES			
DIMENSIONS	W	D	H	POWER	ELECTRICITY		
OVEN DIMENSIONS (mm)	460	512	462	CAPACITY	N° 4 TRAYS/GRIDS 1/2 GN		
CARDBOARD BOX DIMENSIONS WITH PALLET (mm)	545	620	470	TYPE OF COOKING	VENTILATED		
OVEN DIMENSIONS (inch)	18,11	20,15	18,18	STEAM	INDIRECT WITH BUTTON		
CARDBOARD BOX DIMENSIONS WITH PALLET (inch)	21,45	24,40	18,50	COOKING CHAMBER	AIS1 430 STAINLESS STEEL		
INTERNAL DIMENSIONS COOKING CHAMBER (mm)	350	280	260	STEAM OUTLET	DIRECT		
INTERNAL DIMENSIONS COOKING CHAMBER (inch)	13,77	11,02	10,23	TEMPERATURE	100 ÷ 260°C		
OVERALL DIMENSIONS WITH OPEN DOOR AT 90° (mm)			894	TEMPERATURE CONTROL	THERMOSTAT		
OVERALL DIMENSIONS WITH OPEN DOOR AT 90° (inch)			35,19	CONTROL PANEL	ELECTROMECHANIC - LOWER SIDE		
OVEN WEIGHT (kg)			21,8	DOOR	RIGHT SIDE OPENING		
PACKED OVEN WEIGHT (kg)			25		VENTILATED		
OVEN WEIGHT (lbs)			53,35		INSPECTIONABLE GLASS		
PACKED OVEN WEIGHT (lbs)			63,93		REVERSIBLE		
DISTANCE BETWEEN RACK RAILS (mm)			25	ELECTRICAL FEATURES			
FAN DIMENSION DIMENSION (mm)	Ø 150 - Nr. 6 BLADES			POWER SUPPLY (kW)	2,6		
CENTER-TO-CENTER DISTANCE BETWEEN FEET (LxP in mm)			343	FREQUENCY (Hz)	50/60		
EQUIPMENT				VOLTAGE (Volt)	AC 220/230		
LATERAL SUPPORTS	1dx +1sx			N° OF MOTORS	1 UNIDIRECTIONAL		
ALUMINIUM TRAY 1/2 GN	2 pz			RPM	2250		
HORIZONTAL CHROMED GRID 1/2 GN	COD. EKG4			NUMBER OF RESISTORS	CIRC.	1 pcs	2,5 kW
CABLE	SINGLE-PHASE [3G 1,5] L=1600 mm			LIMIT CONTROL	UNIPOLAR WITH MANUAL RESET		
PLUS				PROTECTION AGAINST WATER	IPX3		
DOOR WITH INSPECTIONABLE GLASS TABLE				LIGHTING	Nr. 1 INCANDESCENT LIGHT BULB IN THE COOKING CHAMBER)		
STAINLESS STEEL COOKING CHAMBER				OPTIONAL			
IPX 3				ALUMINIUM TRAY 1/2 GN	COD. KV4		
				HORIZONTAL CHROMED GRID 1/2 GN	COD. EKG4		
				TABLE	COD. EKT 423 - EKTR 423 EKTS 423 - EKTRS 423		
				OPTIONAL PACKAGING	COD. 01300731 CAGE COD. 01300280 PALLET (800x1200x118 mm)		